

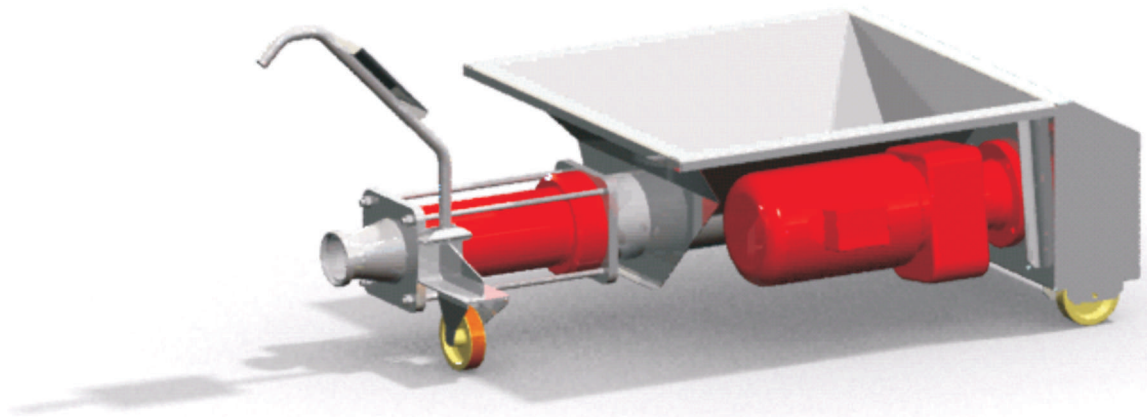


Mash Pump

I Serie TMP

ARMBRUSTER Mash Pump ensures soft handling of the mash. The improved funnel shape ensures friction free and unimpeded flow of the mash and brings more efficiency as well as high quality. Through innovative design and high quality manufacturing, an efficient and gentle handling of the product is ensured.

The usage of covered motors against water spray made with highquality stainless steel or corrosive free plastic quarantees a longlife.



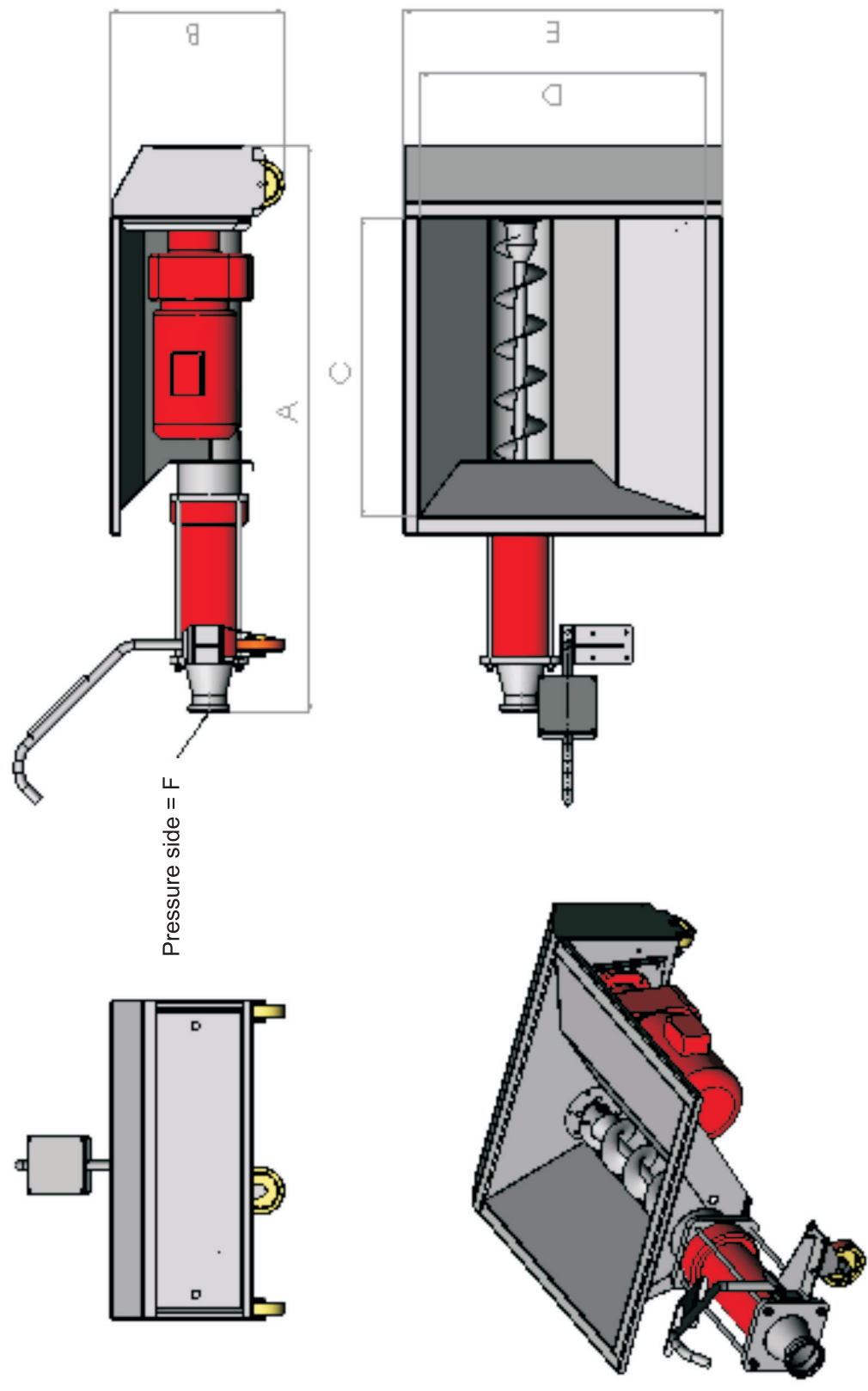
	TMP80	TMP250	TMP400
Volume in ltr.	80	250	400
Construction	F	F	F
Stator	80	100	100
Drive	P=2-steps	P=2-steps	P=2-steps
Capacity	7,5/15 to/h	12,5/25 to/h	25/50 to/h
RPM Motor	4,9/5,9 kW	6,8/8,0 kW	9,5/11,0 kW
RPM Gear box	97/194	96/192	119/238
RPM Rotor min.-1	97/194	96/192	119/238
Frequency	50	50	50
Voltage	380-420V	380-420V	380-420V
Schutzart	IP54	IP54	IP54
Degrees of protection	B	B	B
weight in kg	160	180	200
Sound level	70 dB(A)	70 dB(A)	70 dB(A)

Technical Data

- Integrated eccentric worm pump
- Hopper, feed auger, rotor and bolt joints made from stainless steel grade 304
- Stator of natural, food durable vulcanised rubber
- Hopper with wheels and all sides are in equal height and flat edges



ARMBRUSTER
KELTEREI-TECHNOLOGIE



	A	B	C	D	E	F
TMP 80	1645,50	346	924	708	1000	DN100/DN125
TMP 250	1785,5	545,5	943	901	1005	DN125
TMP 400	2302	696	1203	1155	1255	DN125